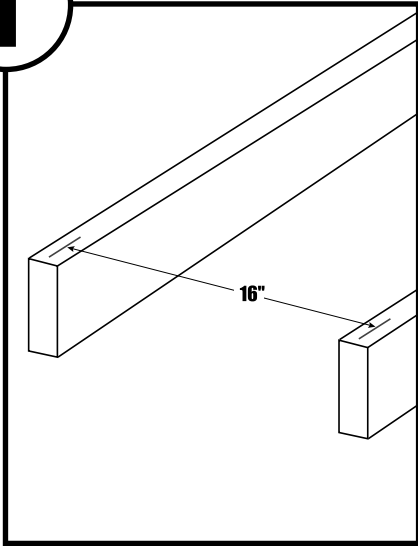


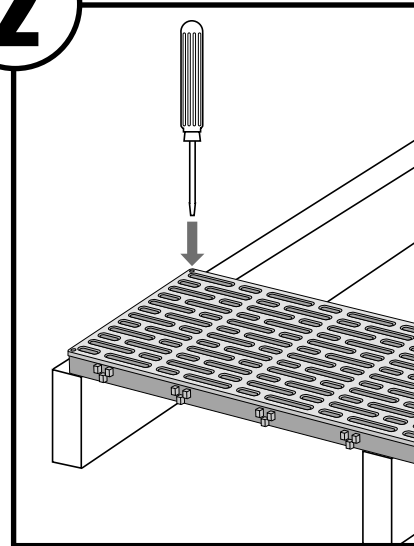
Fitting Instructions

1



Substructure to be constructed with cross-members equally spaced on sixteen inch centers (16").

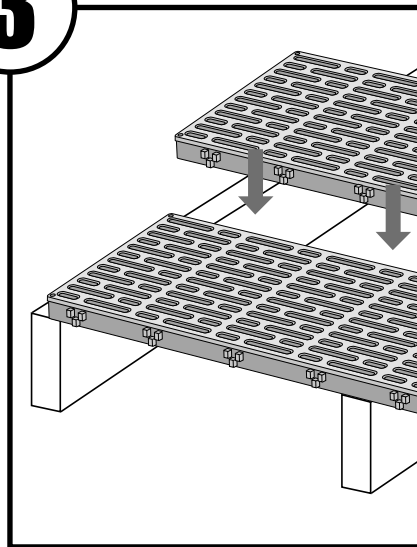
2



Lay the first THRUFLOW on the substructure and fasten using size 10 stainless steel self tapping counter sunk screws. **Only hand-fasten each fastener.** (It is important that you only hand tighten to allow for expansion and contraction of the materials through temperature fluctuation.)

3

Using the interlocking system, lay the next THRUFLOW panel and repeat the fastening process.



4

To finish the installation, remove the last row of interlocking tabs using any traditional hand or electric saw.

